

## Tube end plugs

for construction tubes GN 990

### SPECIFICATION

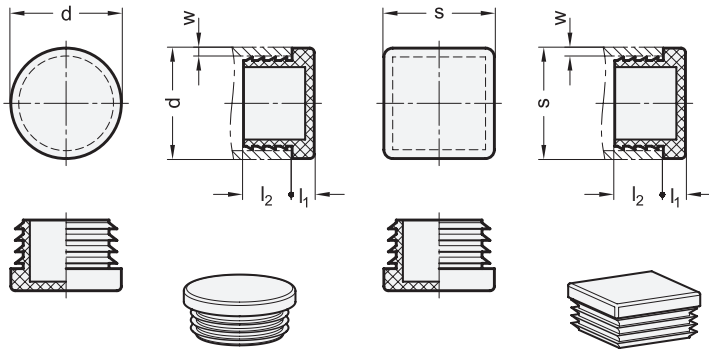
Plastic (Polyethylen PE)  
black

### INFORMATION

Tube end plugs GN 991 have been designed for sealing tube ends for safety or optical reasons.  
They are pressed into the tube end either by hand or with a mallet.

### TECHNICAL INFORMATION

- Plastic characteristics (see page A2)



### GN 991

| Description   | d    | w     | l1  | l2   | For tube GN 990 | ⚖  |
|---------------|------|-------|-----|------|-----------------|----|
| GN 991-D10-SW | D 10 | 1...2 | 3.5 | 11   | D 10            | 1  |
| GN 991-D12-SW | D 12 | 1...2 | 3.5 | 11   | D 12            | 1  |
| GN 991-D14-SW | D 14 | 1...2 | 5   | 11.5 | D 14            | 1  |
| GN 991-D15-SW | D 15 | 1...2 | 3   | 11.5 | D 15            | 1  |
| GN 991-D16-SW | D 16 | 1...2 | 5   | 11   | D 16            | 1  |
| GN 991-D18-SW | D 18 | 1...2 | 5   | 11.5 | D 18            | 2  |
| GN 991-D20-SW | D 20 | 1...2 | 5   | 11.5 | D 20            | 2  |
| GN 991-D25-SW | D 25 | 1...2 | 5   | 11.5 | D 25            | 3  |
| GN 991-D30-SW | D 30 | 1...2 | 5   | 11.5 | D 30            | 3  |
| GN 991-D32-SW | D 32 | 1...2 | 5   | 12   | D 32            | 4  |
| GN 991-D35-SW | D 35 | 1...2 | 5   | 11.5 | D 35            | 5  |
| GN 991-D40-SW | D 40 | 1...2 | 5   | 11.5 | D 40            | 6  |
| GN 991-D42-SW | D 42 | 1...2 | 5   | 11.5 | D 42            | 6  |
| GN 991-D45-SW | D 45 | 1...2 | 5   | 11   | D 45            | 7  |
| GN 991-D48-SW | D 48 | 1...2 | 5   | 11.5 | D 48            | 8  |
| GN 991-D50-SW | D 50 | 1...2 | 5   | 11.5 | D 50            | 10 |
| GN 991-D55-SW | D 55 | 1...2 | 5   | 14.5 | D 55            | 11 |
| GN 991-D60-SW | D 60 | 1...2 | 5   | 17.5 | D 60            | 14 |

### GN 991

| Description   | s    | w         | l1 | l2  | For tube GN 990 | ⚖  |
|---------------|------|-----------|----|-----|-----------------|----|
| GN 991-V10-SW | V 10 | 0.8...2.5 | 4  | 8   | V 10            | 1  |
| GN 991-V12-SW | V 12 | 1...2     | 4  | 8   | V 12            | 1  |
| GN 991-V16-SW | V 16 | 1...2.5   | 5  | 6.5 | V 16            | 3  |
| GN 991-V20-SW | V 20 | 1...3     | 5  | 6.5 | V 20            | 3  |
| GN 991-V25-SW | V 25 | 1...3     | 5  | 6.5 | V 25            | 4  |
| GN 991-V30-SW | V 30 | 1...3     | 5  | 6.5 | V 30            | 4  |
| GN 991-V35-SW | V 35 | 1...3     | 5  | 9.5 | V 35            | 7  |
| GN 991-V40-SW | V 40 | 1...3     | 5  | 9.5 | V 40            | 10 |
| GN 991-V45-SW | V 45 | 1...3     | 5  | 9.5 | V 45            | 10 |
| GN 991-V50-SW | V 50 | 2.6...4   | 5  | 9.5 | V 50            | 16 |

